

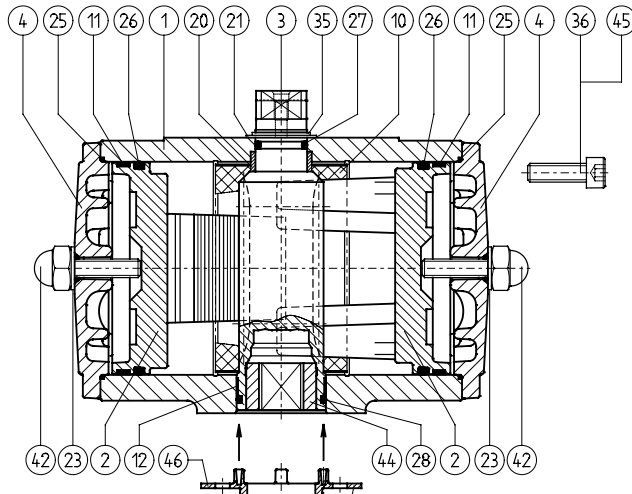
Data sheet

Sheet No.: 1.101.33 Rev. B

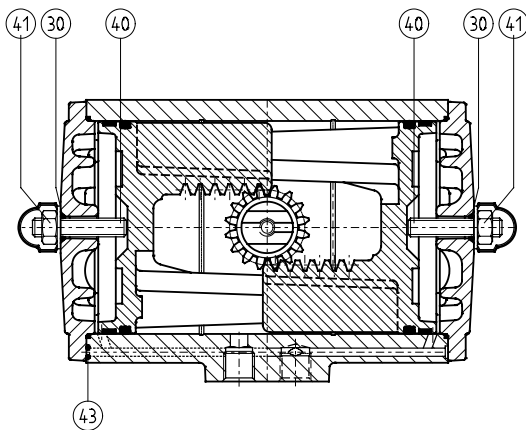
Date: January 2012

CONSTRUCTION, PARTS AND MATERIALS E-SERIES ACTUATORS

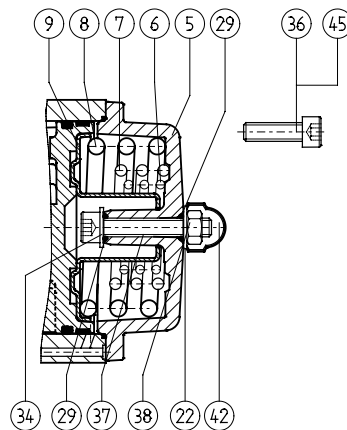
E



Optional centre-plate



DOUBLE ACTING ED



SINGLE ACTING ES

- Notes**
- 1 Hard anodised aluminium alloy: AlZnMgCu1.5, DIN 1725/1
 - 2 Deltatone® Coating
 - 3 Anodised
 - 4 Zinc plated and passivated
 - 5 CSR Coating (see 4.204.02)
 - 6 Stainless Steel Sandvic 1802, SS2382
 - 7 Stainless Steel X35CrM017
 - 8 No insert, adaptor square direct in pinion

| Parts | | | Materials | | Executions | | |
|-------|--------------------|------|---------------------|-------------------------|------------|------------|-----|
| Nr. | Description | Qty. | Description | Specification | Std | S.S. Shaft | CSR |
| 1 | Body | 1 | Aluminium Alloy | GAISi10Mg, DIN 1725/2 | - | - | 5 |
| 2 | Piston | 2 | Aluminium Alloy | GAISi 7Mg, DIN 1725/2 | - | - | - |
| 3 | Drive Shaft | 1 | Aluminium Alloy | AlZnMgCu1.5, DIN 1725/1 | 1 | 6 | 6 |
| 4 | End Cap ED | 2 | Aluminium Alloy | GDAISi9Cu3, DIN 1725/2 | - | - | 5 |
| 5 | End Cap ES | 2 | Aluminium Alloy | GDAISi9Cu3, DIN 1725/2 | - | - | 5 |
| 6 | Spring- inner | 2 | Carbon Spring Steel | Class C, DIN17223 | 2 | 2 | 2 |
| 7 | Spring- mid | 2 | Carbon Spring Steel | Class C, DIN17223 | 2 | 2 | 2 |
| 8 | Spring- outer | 2 | Carbon Spring Steel | Class C, DIN17223 | 2 | 2 | 2 |
| 9 | Spring Holder | 2 | Steel | RSt 14-03, DIN 1623 | 3 | 3 | 3 |
| 10 | * Guide Band | 1 | Nylatron | PA6.6 + MoS2 | - | - | - |
| 11 | * Guide Band | 2 | PTFE, Carbon filled | PTFE + 25% C | - | - | - |
| 12 | * Bearing Bush | 1 | Nylatron | PA6.6 + MoS2 | - | - | - |
| 20 | * Bearing Bush | 1 | Delrin | POM | - | - | - |
| 21 | * O-ring | 1 | Nitrile Rubber | Buna N | - | - | - |
| 22 | * Washer ES | 2 | Nylon | PA6 | - | - | - |
| 23 | * Washer ED | 2 | Nylon | PA6 | - | - | - |
| 25 | * O-ring | 2 | Nitrile Rubber | Buna N | - | - | - |
| 26 | * O-ring | 2 | Nitrile Rubber | Buna N | - | - | - |
| 27 | * Washer | 1 | ZEDEX 100 K | - | - | - | - |
| 28 | * O-ring | 1 | Nitrile Rubber | Buna N | - | - | - |
| 29 | * O-ring | 4 | Nitrile Rubber | Buna N | - | - | - |
| 30 | * O-ring | 2 | Nitrile Rubber | Buna N | - | - | - |
| 34 | Spring ES | 2 | Steel | C35 | 3 | 3 | 3 |
| 35 | * Spring Clip | 1 | Carbon Spring Steel | C45, DIN 17200 | 2 | 7 | 7 |
| 36 | End Cap Bolt ED/ES | 8 | Stainless Steel | AISI 304 | - | - | - |
| 37 | Limit Stop Bolt ES | 2 | Stainless Steel | AISI 304 | - | - | - |
| 38 | Nut | 2 | Stainless Steel | AISI 304 | - | - | - |
| 40 | Limit Stop Bolt ED | 2 | Stainless Steel | AISI 304 | - | - | - |
| 41 | Nut | 2 | Stainless Steel | AISI 304 | - | - | - |
| 42 | Nut Cover | 2 | Polyethylene | PE | - | - | - |
| 43 | * O-ring | 2 | Nitrile Rubber | Buna N | - | - | - |
| 44 | Insert | 1 | Aluminium Alloy | AlMgSi1 | 4 | 9 | 4 |
| 45 | Threaded insert | 8 | Steel | 9S MnPb28K | 3 | 3 | 3 |
| 46 | Centre-plate | 1 | Nylon, Glassfilled | PA6 + 25% Glass | - | - | - |

* Recommended spare parts (contained in Repair kits)

Finish

Standard : Polyester non-TGIC based powder coating (see data sheet 4.204.01)

CSR : CSR Coating (see data sheet 4.204.02)



www.El-O-matic.com

Copyright © Emerson Process Management. The information in this document is subject to change without notice.

Updated data sheets can be obtained from our website www.El-O-matic.com or from your nearest Valve Automation Center **USA**: +1 813 319 0266 **Europe**: +31 74 256 10 10 **Asia-Pacific**: +65 6501 4600



K.E. JEPSEN