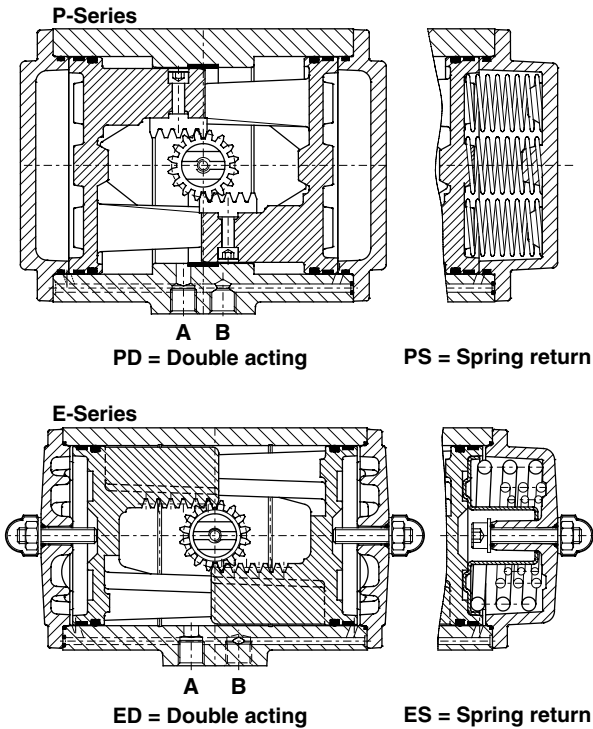


# Data sheet

Sheet No.: 1.102 Rev. B  
Date: January 2012

## TECHNICAL DETAILS, STANDARD ACTUATOR

E/P



### Specification

Pressure range : Double acting 0.2 to 8 bar  
: Spring return 6 to 8 bar, with max. spring set  
: 3 to 8 bar, reduced spring quantity

Torque : 180° actuators 6 bar g maximum  
: 14.6 to 4955 Nm at 6 bar supply  
See torque data sheets 1.104.01 and 1.104.02

Operating media : Air, dry or lubricated and inert gasses  
: For sub-zero applications take appropriate measures

Temperature : -20° to +80°C

Lubrication : Factory lubricated for the normal life of the actuator

Construction : Suitable for indoor and outdoor installation

Finish : Polyester non-TGIC based powder coating  
(see data sheet 4.204.01)

Rotation : 91.5° (-0.5° CW to 91° CCW)

Double acting : Standard counter clockwise with port "A" pressurized  
(code A, see data sheet 1.503 for other assembly codes)

Spring return : Clockwise fail action  
(code A, see data sheet 1.504 for other assembly codes)

Limit stops : Standard on E-Series. Adjustable range 91°/80°  
: Optional on P-Series. See data sheet 1.501.01  
: For double stroke adjustment. See data sheet 1.501.05

### European Directives

PED : All actuators are suitable for use with Group 2 gasses according to Pressure Equipment Directive 97/23/EC  
: Optional : actuators suitable for use with Group 1 gasses

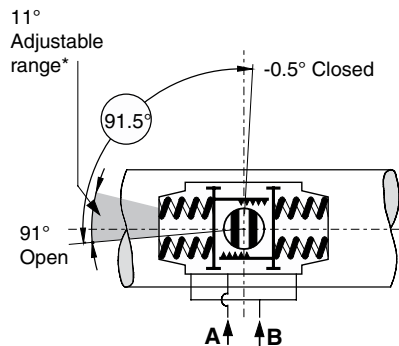
ATEX : All basic actuators are suitable for use in hazardous area's classified II 2 GD, zones 1 or 2 (Gasses) and 21 or 22 (Dust)

### Russian Approvals

EI-O-Matic E and P series pneumatic actuators are available with the GOST-R and Rostechnadzor (RTN) approvals.

### Note

1. Operating time is average with actuator under load and solenoid valve fitted.
2. Air consumption is the actual free air volume at 1 atm.
3. Pressure is in barg.



\* only standard on E-Series actuators

ACTUATOR TYPE		E12	E25	E40	E65	E100	E150	E200	E350	E600	E950	E1600	P2500	P4000	
<b>Bore</b>	mm.	46	56	70	80	91	103	110	145	175	200	230	300	325	
<b>Stroke</b>	mm.	12.6	15.7	18.8	22	25.1	31.4	37.7	37.7	44	50.3	62.8	56.5	81.7	
<b>Weight:</b>	<b>Double acting</b>	kg.	0.6	1.3	1.8	2.4	3.1	4.8	5.8	10.4	19.4	26.4	42.7	56.8	86.6
	<b>Spring return</b>	kg.	0.7	1.7	2.4	3.6	4.6	6.9	9.1	16.9	27.6	38.6	65.8	88.2	131.8
<b>Operating time</b>	sec.	0.4	0.5	0.7	1.1	1.2	1.8	2.3	3.6	4.5	5.4	6.9	7	12	
<b>Air consumption at 1 atm (litres)</b>	<b>port A</b>	stroke	0.1	0.1	0.2	0.3	0.4	0.73	0.8	1.8	2.9	4.7	7.3	8	13.5
	<b>port B</b>	stroke	0.1	0.1	0.2	0.4	0.5	0.65	1	1.9	3.1	4.9	8.0	9.3	17.5

**EL-O-MATIC**

www.EI-O-matic.com

Copyright © Emerson Process Management. The information in this document is subject to change without notice.

Updated data sheets can be obtained from our website [www.EI-O-Matic.com](http://www.EI-O-Matic.com) or from your nearest Valve Automation Center **USA:** +1 813 319 0266 **Europe:** +31 74 256 10 10 **Asia-Pacific:** +65 6501 4600



K.E. JEPSEN